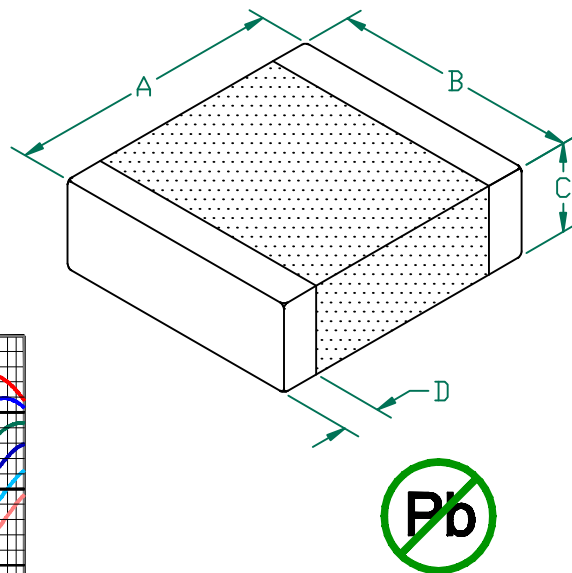


HI2220R151R-10

UNCONTROLLED DOCUMENT

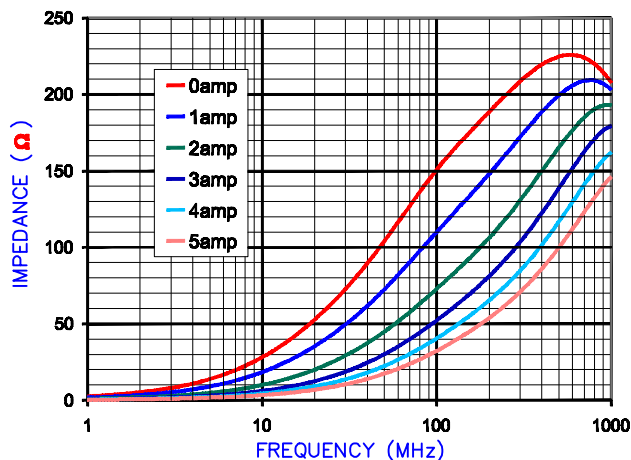
PHYSICAL DIMENSIONS:

A	5.59 [.220]	+ 0.51 [.020]
B	5.08 [.200]	+ 0.25 [.010]
C	1.80 [.071]	+ 0.25 [.010]
D	0.76 [.030]	+ 0.25 [.010]

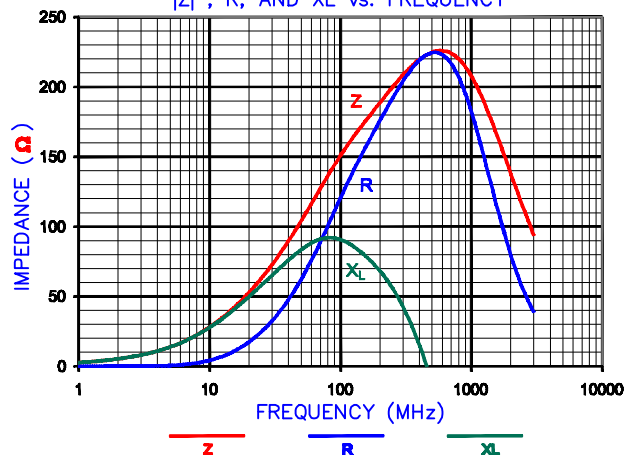


ELECTRICAL CHARACTERISTICS:			
Z @ 100MHz (Ω)	DCR (Ω)	Rated Current	
Nominal	150		
Minimum	113		
Maximum	187	0.015	5000 mA

Z vs. FREQUENCY
IMPEDANCE UNDER DC BIAS



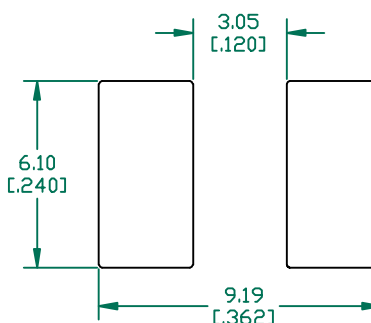
|Z|, R, AND XL vs. FREQUENCY



NOTES: UNLESS OTHERWISE SPECIFIED

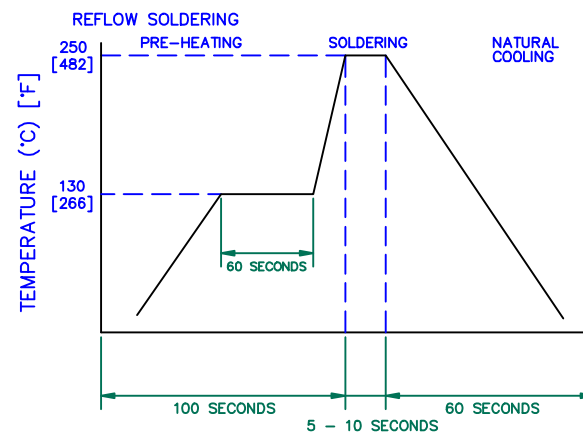
1. TAPED AND REELED per CURRENT EIA SPECIFICATIONS 13" REELS, 2,000 PCS/REEL.
2. TERMINATION FINISH IS 100% TIN.
3. COMPONENTS SHOULD BE ADEQUATELY PREHEATED BEFORE SOLDERING.

LAND PATTERNS FOR REFLOW SOLDERING



(For wave soldering, add 0.762 [.030] to this dimension)

RECOMMENDED SOLDERING CONDITIONS



DIMENSIONS ARE IN mm [INCHES].				This print is the property of Laird Tech. and is loaned in confidence subject to return upon request and with the understanding that no copies shall be made without the written consent of Laird Tech. All rights to design or invention are reserved.			
PROJECT/PART NUMBER:				REV			
HI2220R151R-10				B			
PART TYPE:				DRAWN BY:			
CO-FIRE				TMB			
DATE:		SCALE:		SHEET:		2 of 2	
04/03/04		NTS					
DESCRIPTION:		DATE:		INT		TOOL #	
ORIGINAL DRAFT		04/03/04		TMB		-	
REV		DATE		INT		CAD #	
						HI2220R151R-10-B	